

RAVAS 2100

Pallet truck scale for Legal for Trade weighing applications



BENEFITS

- Accurate: 1 kg increments
- Long uptime: 35 hours on 1 battery
- Exchangeable battery module
- Automatic switch off function
- Pallet truck with quicklift pump
- For check weighing and billing to customers based on weight
- Standard including legal for trade version, OIML III

Top quality

Made in Europe



RAVAS

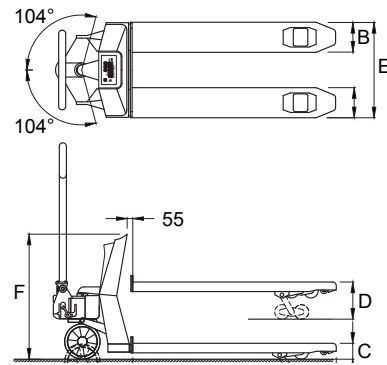
FUNCTIONS

- Automatic and manual zero correction
- Gross/net weighing
- Automatic tare over the full scale. Pre-set tare maximum first range (200 kg)
- Totalling with sequence number
- Error messages in display
- Automatic switch-off after 30 minutes of non-use
- Low battery warning in display

STANDARD SPECIFICATIONS

- Weighing capacity 2,000 kg
- Graduation 1 kg at 2,000 kg capacity
- Max. tolerance 0.1% of the load lifted
- Display LCD, digit height 18 mm
- Keypad 3 function keys, on/off key
- Protection class load cells IP67, indicator IP65
- Battery 12Vdc/1.2Ah, exchangeable; battery charger included
- Battery life 35 hours, low battery indication in display
- Charger 230V/12Vdc - 300 mA
- Charging time approximately 6 hours
- Steering wheels rubber
- Loading wheels polyurethane, tandem
- Pump quick lift
- Own weight 120 kg
- Colour red (RAL 3000), epoxy painted

DIMENSIONS IN MM



	Standard
A Fork length	1150
B Fork width	170
C Minimum fork height	90
Space underneath fork	22
D Maximum fork height	180
Lifting height	90
E Width over forks	540
F Height to top indicator	800
Tolerance +/-	3 mm



Management System
 ISO 9001:2015
 ISO 14001:2015
 ISO 45001:2018
 www.tuv.com
 ID 0000037200

OPTIONS*

- Extra exchangeable battery pack
- Built-in thermal printer

RAVAS Europe B.V.

Veilingweg 17, 5301 KM Zaltbommel, The Netherlands

T: +31 418 515220 E: salesoffice@ravas.com

WWW.RAVAS.COM

