

# RAVAS 1100

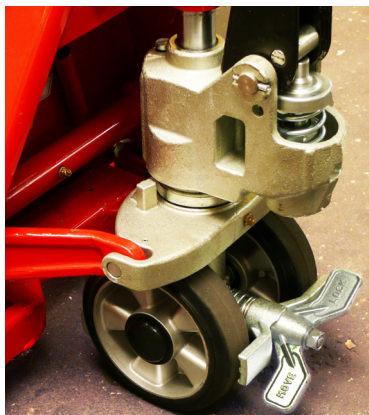
Pallet truck scale with basic scale functions



## BENEFITS:

- The RAVAS work horse
- Shock and vibration resistant
- Water tight for outdoor use
- Low power consumption
- For checking incoming goods and shipping weights

Top quality  
For industrial use



# RAVAS

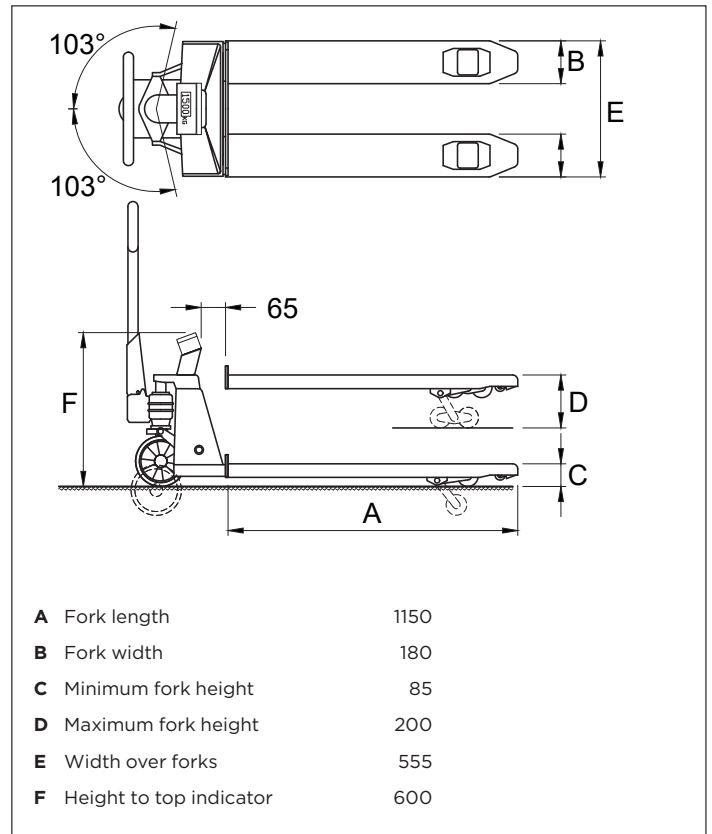
## FUNCTIONS

- Automatic and manual zero correction
- Gross/net weighing
- Totalling with sequence number
- Error messages in display
- Automatic switch-off after 3 minutes of non-use
- Low battery warning in display

## STANDARD SPECIFICATIONS

- Weighing capacity 2,000 kg
- Graduation 1 kg
- Max. inaccuracy 0.1% of the load lifted
- Display LCD, digit height 18 mm
- Keypad 3 function keys, on/off key
- Protection class load cells IP67, indicator IP65
- Steering wheels rubber
- Loading wheels polyurethane, tandem
- Colour red (RAL 3000), epoxy painted
- Own weight 104 kg
- Power supply 4 x 1.5V AA-batteries
- Battery life when used 5 times a day, the batteries last for a year
- Pump quick lift

## DIMENSIONS IN MM



Management System  
ISO 9001:2015  
ISO 14001:2015  
ISO 45001:2018  
www.tuv.com  
ID 0000037200

## OPTIONS\*

- Built-in thermal printer

### RAVAS Europe B.V.

Veilingweg 17, 5301 KM Zaltbommel, The Netherlands

T: +31 418 515220 E: salesoffice@ravas.com

WWW.RAVAS.COM

# RAVAS