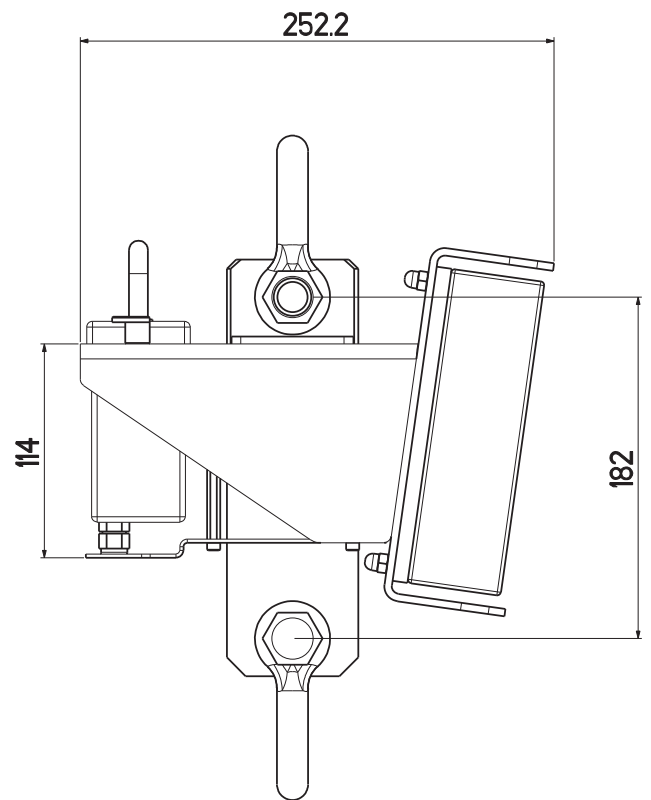
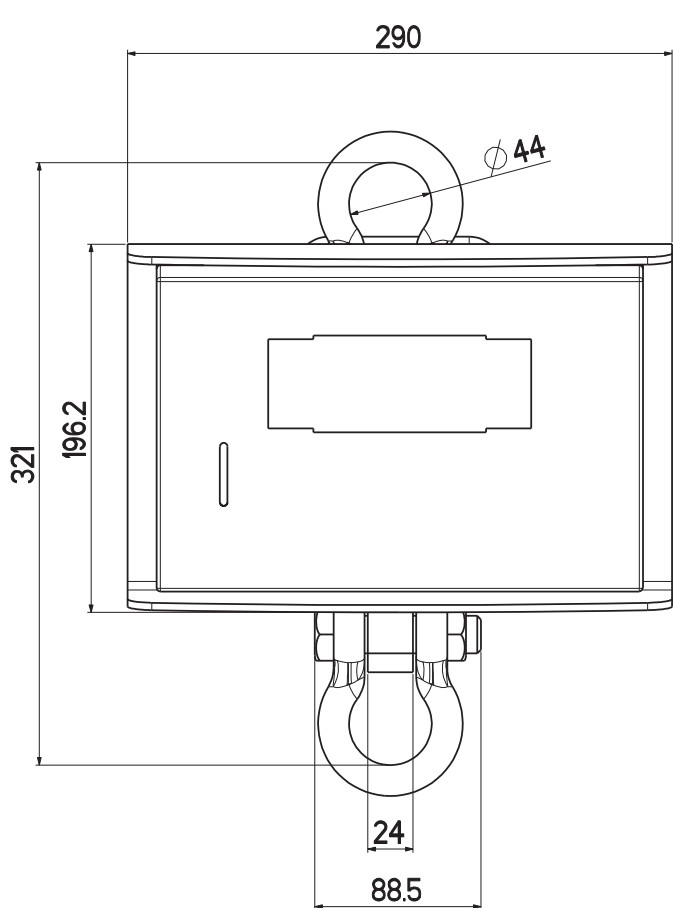


# MCWX



Dimensions in mm